

REPLACEMENT SHEET

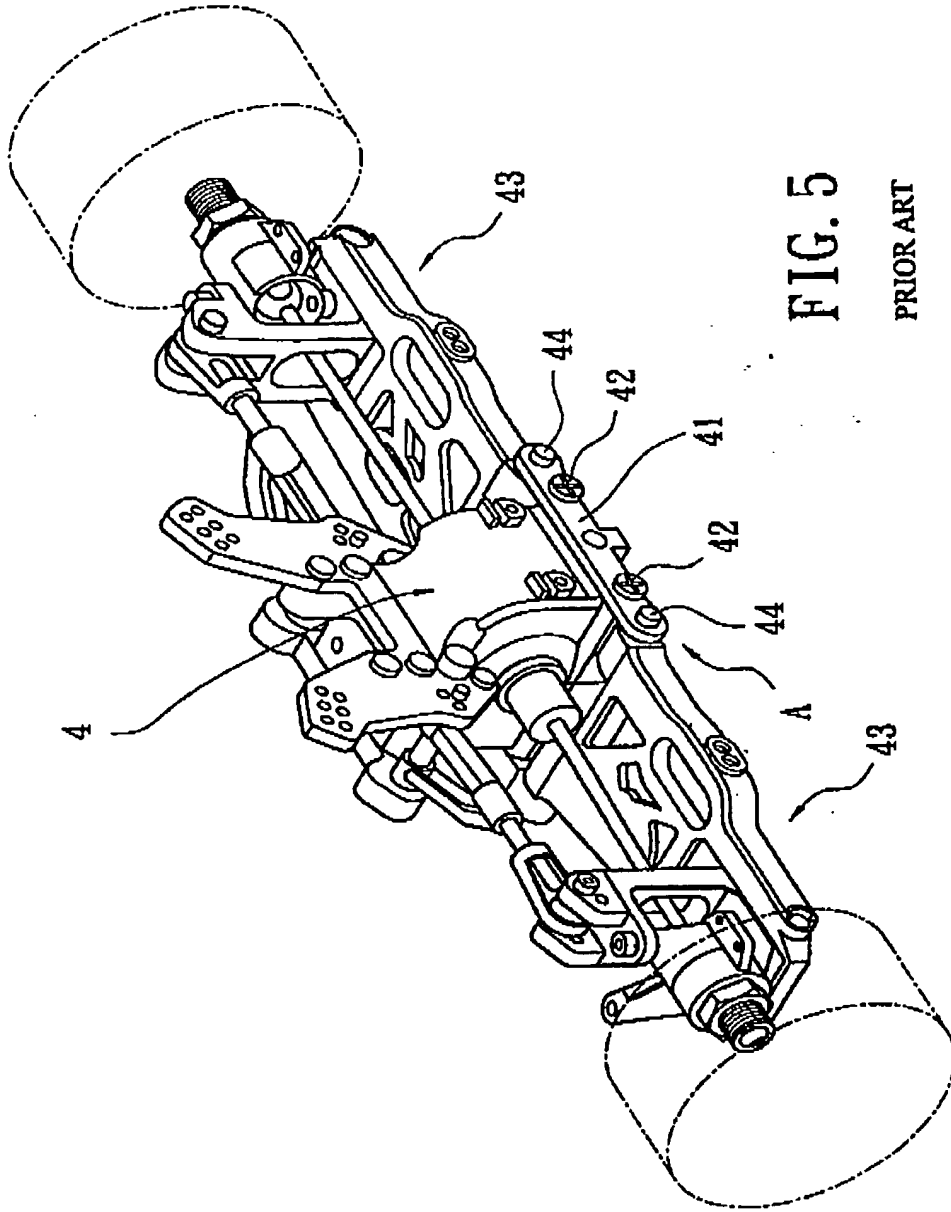


FIG. 5

PRIOR ART